

## Dosing Valve

for the reliable dosing of chemicals



The plastic dosing valve is suited for an easy and save supply of chemicals. The comprehensive design enables in all fields of industrial process technology, especially in fields with high demands on the resistance to corrosion, as well as laboratory applications an universal chemical dosing with a long lasting reliability.

### Features

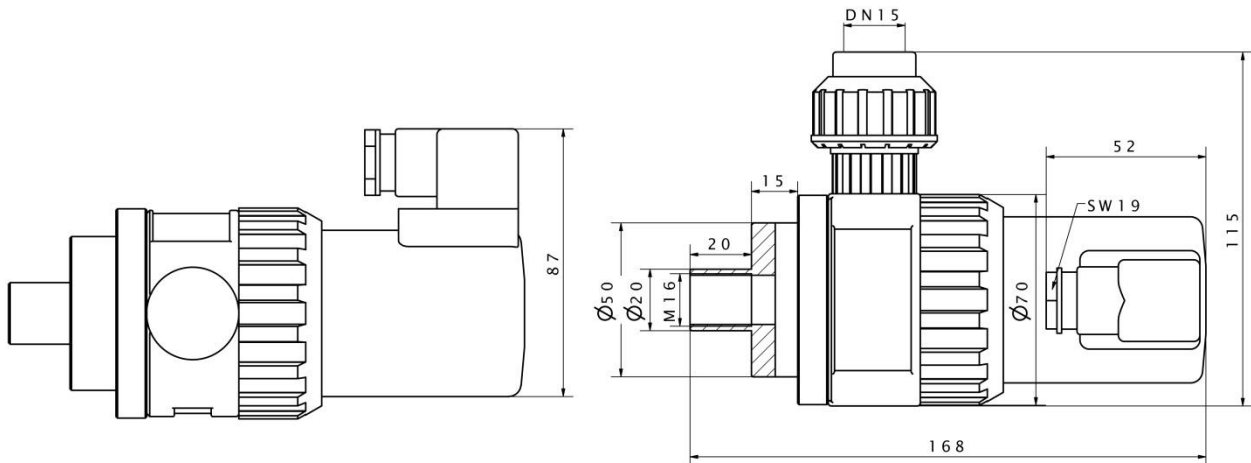
- directly controlled, glandless electromagnetic valve made of plastic
- noiseless, plastic-embedded continuous current solenoid with high electromagnetic attraction force
- equipped with rectifier for operation with alternating current
- thread inlays allow a proper adjustment to the dosing distance
- bellows made of PTFE, actuation via solenoid armature and valve stem
- protection of the solenoid system by EPDM safety membrane located at the PTFE bellows
- hermetical separation between fluid and actuator
- closing of the outlet by spring force
- high operational reliability and long term durability
- universally applicable at temperatures up to +50 °C
- robust, ready-to-install design (retainer included)
- easy and fast installation, handling and cleaning
- compact design, splash-water proof

### Application fields

- chemical dosing in water purification, water treatment and exhaust air cleaning plants
- in washing, cleaning and decontamination plants
- in titration plants of the food industry
- in certain fields of the electroplating and the chemical industry
- especially for applications including high requirements to the resistance to corrosion

## Technical data

Parameter		Description
power supply (other voltage on request)		230 V AC, 50-60 Hz
		24 V DC
power consumption		17 V A (with installed rectifier)
		approx. 12 W (operation at continuous current)
max. frequency of operations		2000 to 3000 switching operations/h (depending on the viscosity of the fluid)
switch-on time		100 %
connection		coupler socket type A (DIN EN 175301-803) (for operation with alternating current equipped with rectifier)
max. process pressure		1 bar
assembly height		168 mm
housing material		PVC
sealing materials		EPDM
		PTFE
		FPM (Viton)
permitted temperature range	surrounding	0 to +40 °C
	fluid	0 to +50 °C
protection		IP65



**We will be pleased to assist you in case of further questions. In addition special customized designs are certainly possible. Please contact us!**

Specifications are subject to modifications.